

HF MED™

YD02-LED3

(Adjust color temperature)(LED)Shadowless Operating lamp

Uniform, homogeneous lighting in surface and deep cavity procedures thanks to YD02-LED's innovative shadow control.

Our ergonomic, sterile operating concept allows for the simple and flexible control of all functions by the surgical team.

Almost unlimited LED life expectancy delivers tremendous product reliability and investment protection.

Environmentally proactive: low power consumption and durable LEDs minimize the impact on our precious resources.



Official QR code



HF MED™

YOUR IDEAL OPERATING TABLE SUPPLIER
SHANGHAI HUIFENG MEDICAL INSTRUMENT CO., LTD.
Address: No.7753 Chuannanfeng Road Pudong New District, Shanghai.
P.R.China.11
Tel: +86-021-58084992
Mob: +86-13918165133
Email: lisa@huiifeng-co.com
web: <http://en.huifeng-co.com>



YD02-LED3

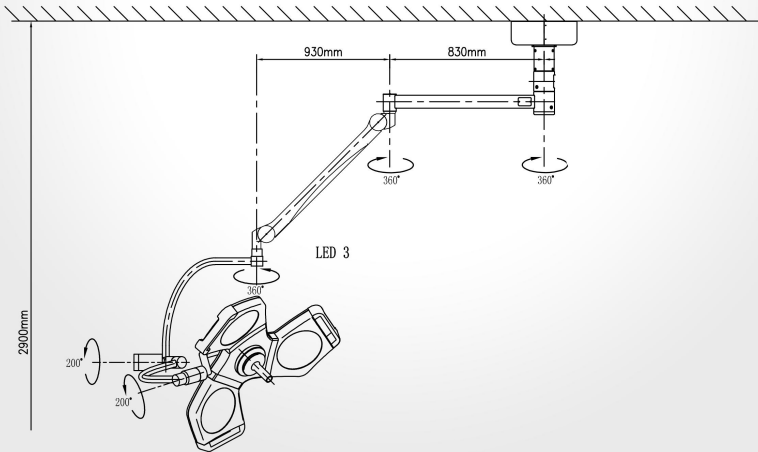
(Adjust color temperature)(LED)Shadowless Operating lamp

HF MED

SHANGHAI HUIFENG MEDICAL INSTRUMENT CO.,LTD

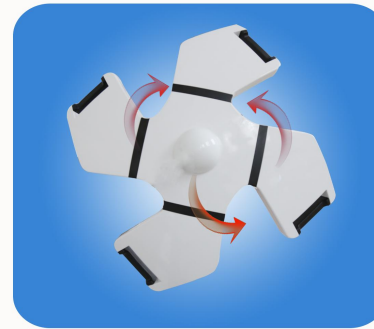


YD02-LED3



YD02-LED3

With its open design and superior ventilated ceiling tolerance, YD02-LED3 ensures that perfect operating conditions are created and hygienic requirements are fulfilled. The airflow surface under the ventilated ceiling is minimized and the reduced heat generation ensures a low turbulence displacement stream under the light head.

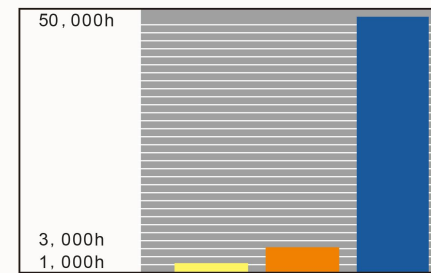


YD02-LED3 series shadowless LED light has 3 groups source composed. One group consisting of 16 groups of light sources, each light source includes six LED(light emitting diode) light source. One of groups consisting of 5 sets of light sources,each light source comprises 7 LED(light emitting diode) light source. Another group of light sources comprises 2 LED(light emitting diode) light source(endoscopemode). Each individual LED light source can emit light and reflected by the respective reflecting surfaces, and then the focus position of the light field in different convergent optical lens in formed through the surgical area, the combination of the optical domain to achieve a superior surface and deep and uniform lighting effect to meet a variety of surgical needs.



Main Technical Data

YD02-LED3 (Adjust color temperature)(LED)Shadowless Operating lamp	
Illuminance	≥140,000Lux
Colour temperature	3800±300K 4300±300K 4800±300K
Colour reduction index(Ra)	96
Total irradiance	380W/ m ²
Size of light field	150~200mm
Service life of illuminant	50,000h
Power supply voltage	AC110-240V 50/60Hz
Lowest height of installation	2900mm
Total power consumptio	100W
Total LED bulb quantity	57pcs (19*3)



■ Halogen bulb
■ Gas light bulb
■ High-performance LED light source

LED light source life of up to 50,000 hours or more, with an average life of an ordinary light shadowless lamp halogen 30 times, and each LED can be individually replaced, to ensure maximum use of economy.